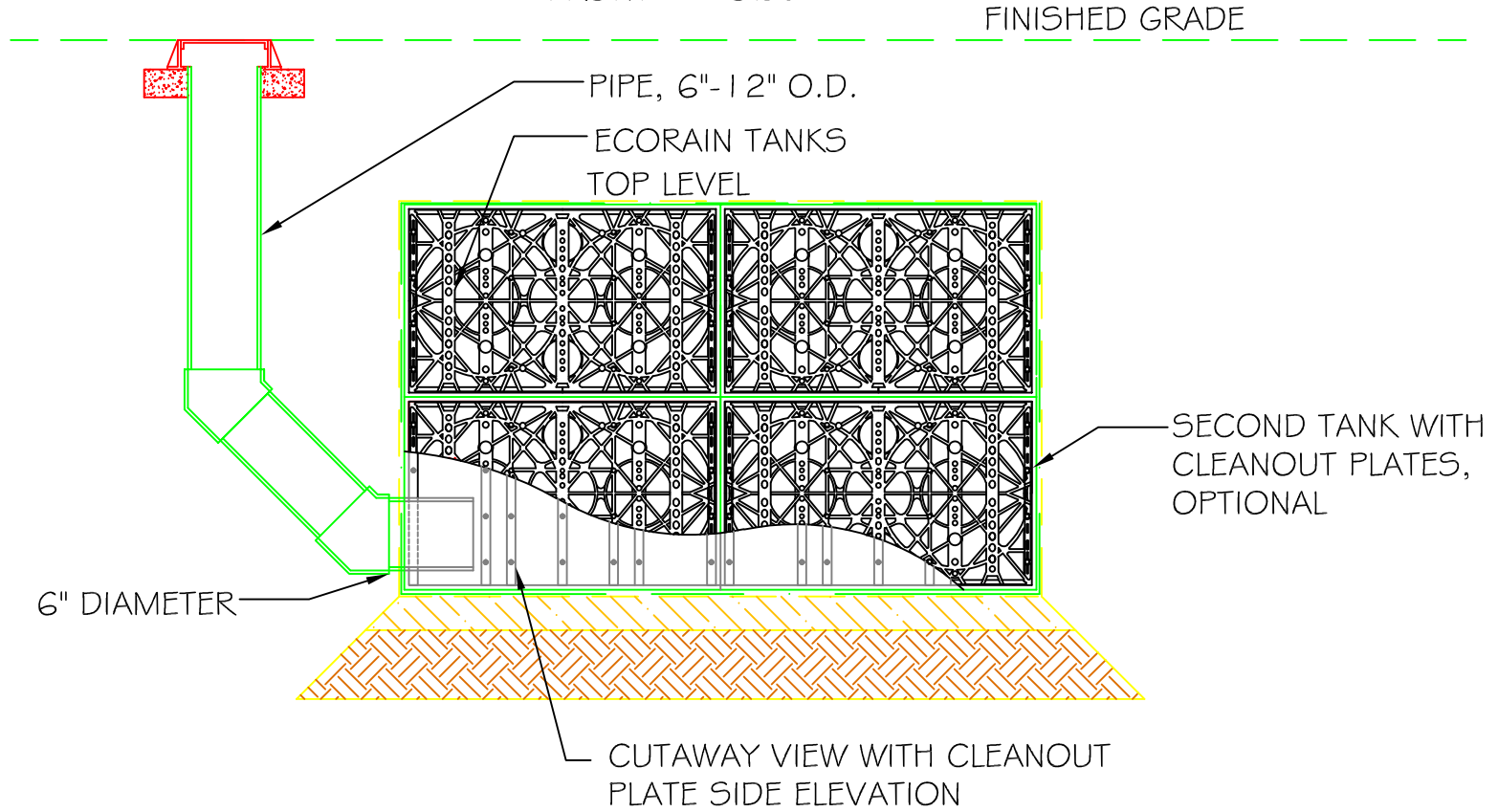
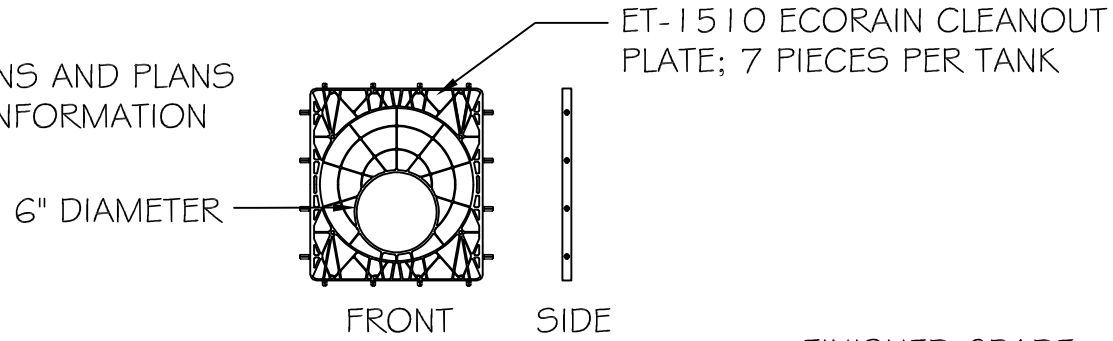


NOTE:  
SEE SPECIFICATIONS AND PLANS  
FOR ADDITIONAL INFORMATION



CONCEPT CROSS SECTION THROUGH ECORAIN TANK  
FOR MAINTENANCE/INSPECTION ACCESS